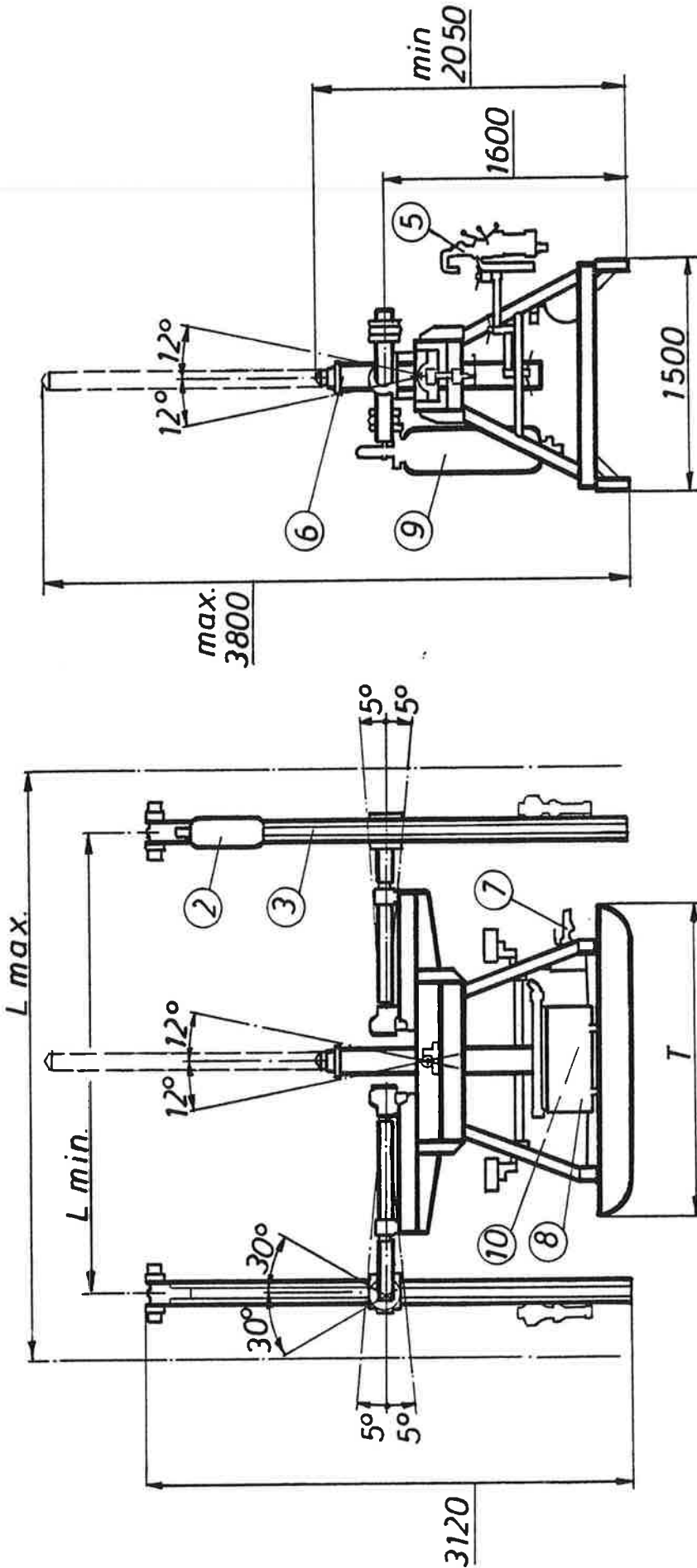
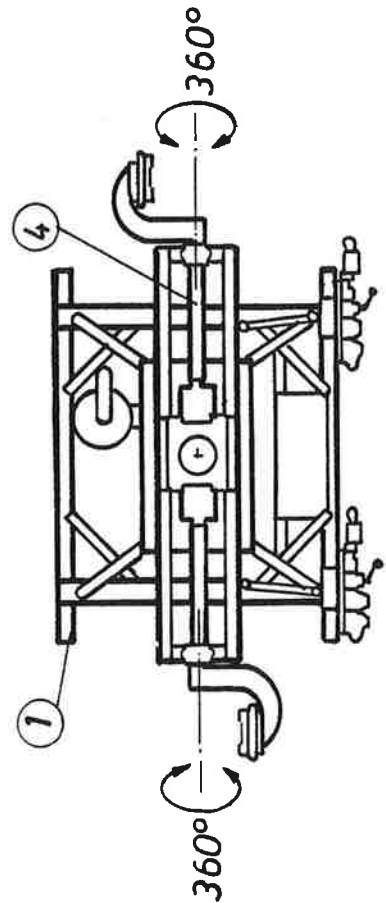


PK 1000

3469
1:40



Type	2xburden		T
	L min	L max	
PK 1028	2800	3400	1800
PK 1030	3000	3800	2000
PK 1032	3200	4000	2200
PK 1034	3400	4200	2400
PK 1036	3600	4400	2600
PK 1038	3800	4600	2800



APPLICATION PK 1000 is a pneumatic skid-mounted rig for long-hole drilling in underground mines. It is designed for vertical plane rings and conical rings.

Ext. drill steels	Hole ϕ range	Opt. hole ϕ	Opt. hole length with opt. hole ϕ
1 1/4" (32 mm)	48...76 mm	51, (57) mm	0...30 m

DESCRIPTION Skid rig, transfer from one ring to another can be carried out by winch (optional). Pneumatic drilling with two pneumatic drifters.

TECHNICAL DATA FOR BASIC MODEL (without alternatives or options)

Length..... see over
Width..... 1500 mm
Transfer height..... 2050 mm
Length of chain feed (6' rods)..... 3120 mm
Total weight..... 2000 kg
Feed rotation..... 360° manually
Feed tilt..... $\pm 30^\circ$, levelling of rotation $\pm 5^\circ$

COMPONENTS IN BASIC MODEL

1. Carrier..... 1 x skid
2. Drifter..... 2 x L 400 T
3. Chain feed..... 2 x KS 55 x 6/PITO 8 (6' rods)
4. Rotation mechanism..... 2 x M 3
5. Control panel..... 2 x Control valve assembly with automatics for stopping drifter
6. Vertical stabilizer..... 1 x KT 150 x 3000
7. Water pressure reduction valve... 1 x WP 42
8. Central oiler..... 1 x KVL 45-6
9. Air cleaner..... 1 x IP 30
10. Lighting, working lights..... 1 x VA 12 (air motor, generator, 4 x 55 W)

ALTERNATIVES

1. Drifter..... 2 x L 500 T
2. Chain feed..... 2 x KS 55 x 3 or 4 or 5

OPTIONS

11. Oil mist separator..... 1 x ENVIROCLONE
12. Transfer of skid from one ring to another..... 1 x Winch, manual type